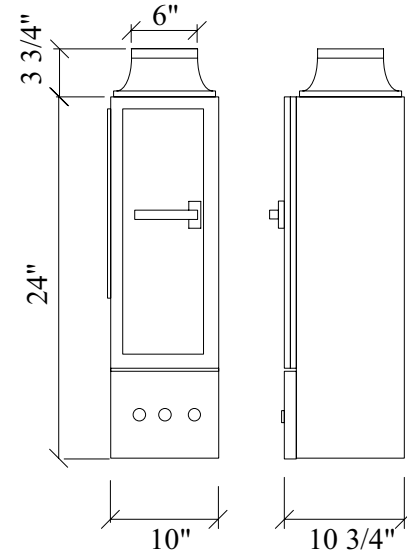
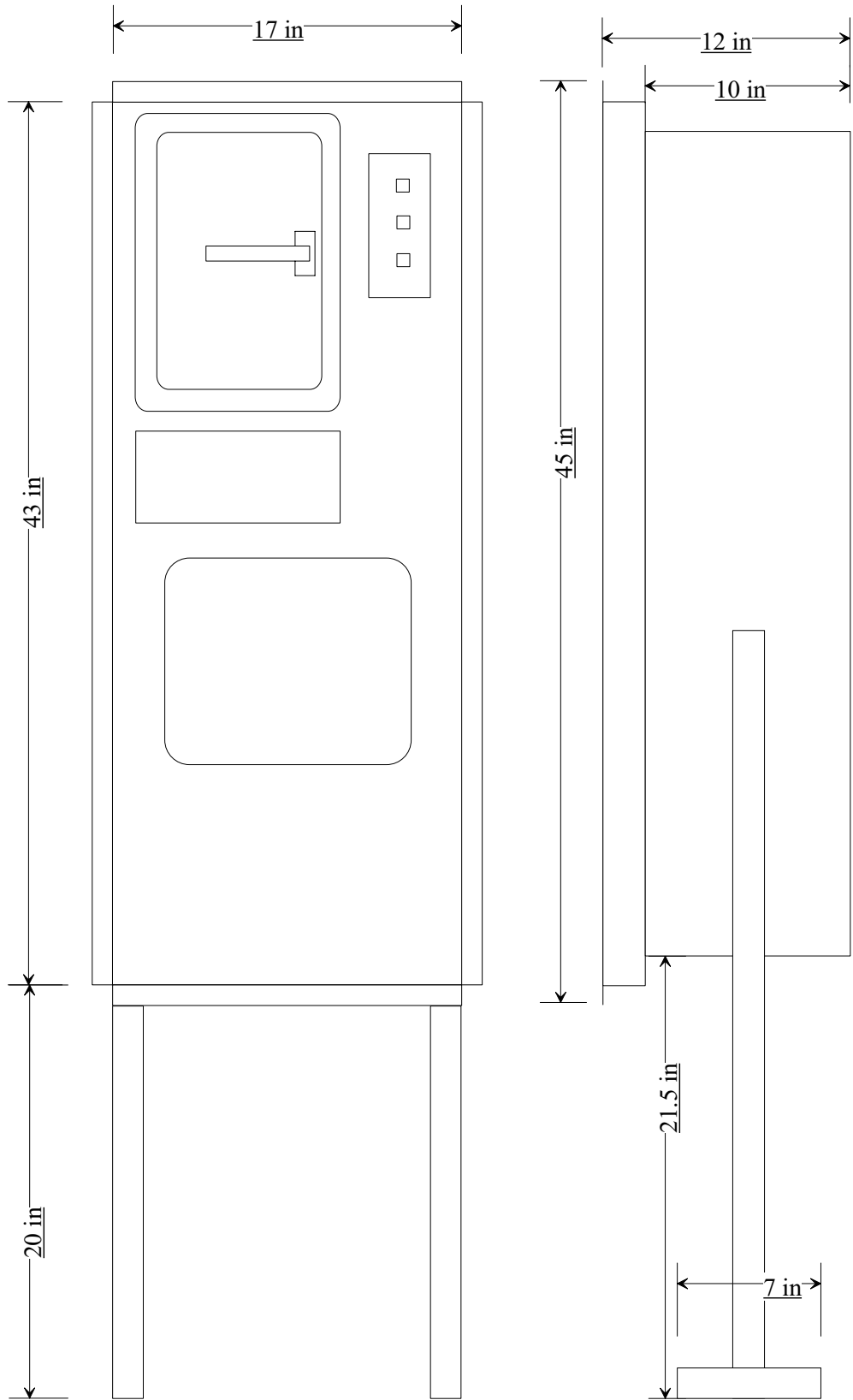


**6" MASTER STATION**

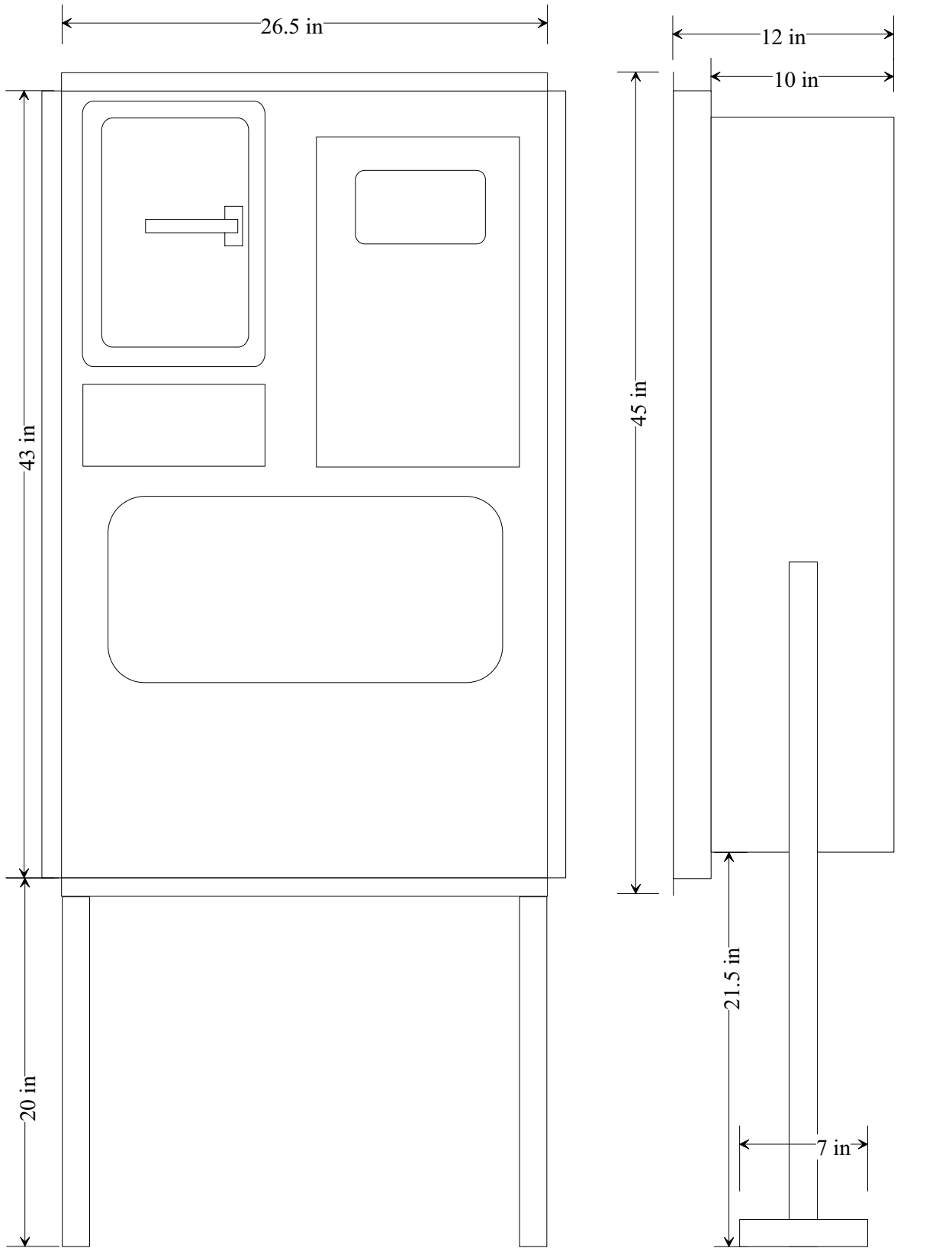


**6" SUB-STATION**  
( TYPICAL )

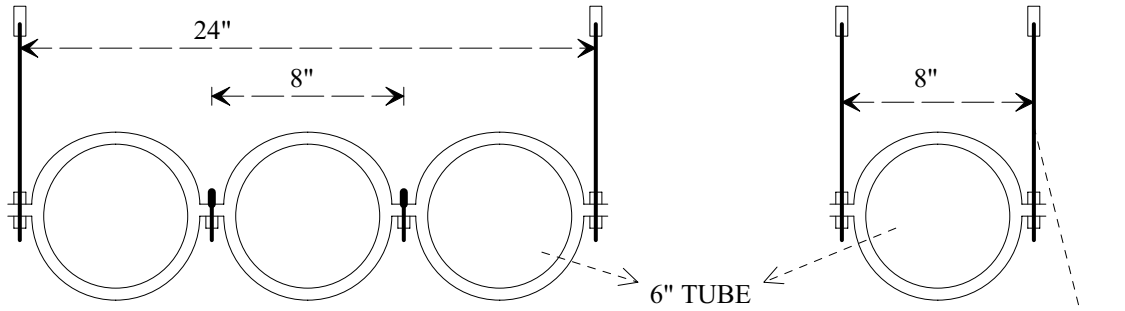
|   |  |                 |                        |
|---|--|-----------------|------------------------|
| <b>ZIP PNEUMATICS</b><br><hr/> INCORPORATED | SUBJECT:<br>ENTERPRISE SERIES 2600<br>COUNTER MOUNT<br>STATION DETAILS | DATE:<br>8-9-01 | DRAWN BY:<br>JS        |
|   |  |                 | DRAWING #:<br>SDT-2600 |



|                                       |   |                 |                         |
|---------------------------------------|---|-----------------|-------------------------|
| <b>ZIP PNEUMATICS</b><br>INCORPORATED | SUBJECT:<br><i>6" ENTERPRISE SERIES 2000<br/>         RECESSED SUBSTATION DETAILS</i> | DATE:<br>5-9-95 | DRAWN BY:<br>JS         |
|                                       |   | SCALE:<br>NONE  | DRAWING #:<br>ESS2630-R |

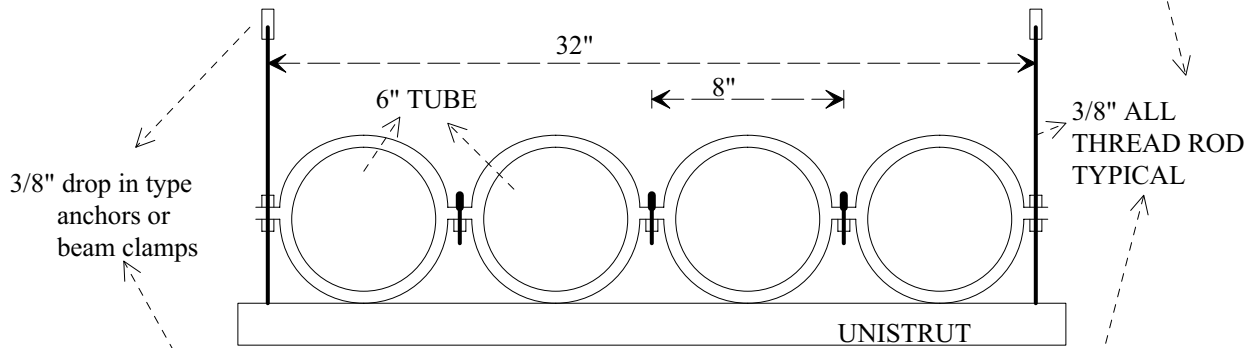


|                                       |   |                 |                         |
|---------------------------------------|---|-----------------|-------------------------|
| <b>ZIP PNEUMATICS</b><br>INCORPORATED | SUBJECT:<br><i>6" ENTERPRISE SERIES 2000<br/>         RECESSED MASTER DETAILS</i> | DATE:<br>5-9-95 | DRAWN BY:<br>JS         |
|                                       |   | SCALE:<br>NONE  | DRAWING #:<br>ESS2601-R |



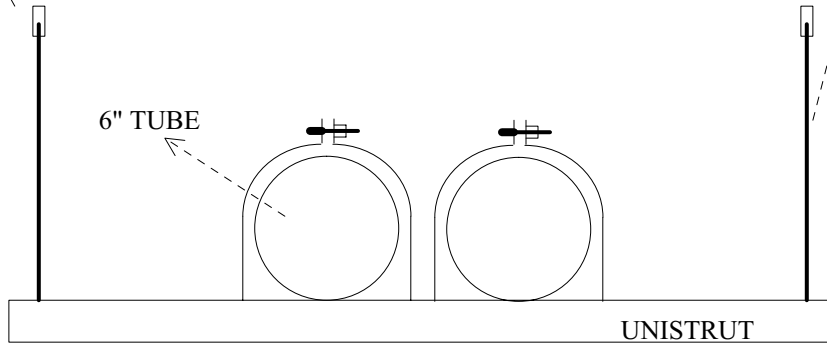
**STANDARD CLAMP**

WITH LESS THAN FOUR TUBE LINES



**STANDARD CLAMP**

WITH MORE THAN THREE TUBE LINES



**UNISTRUT CLAMP**

**TUBE SHALL BE SUPPORTED BY HANGERS ON 10' CENTERS**

Rotron Regenerative blower:

Model - DR808AY72

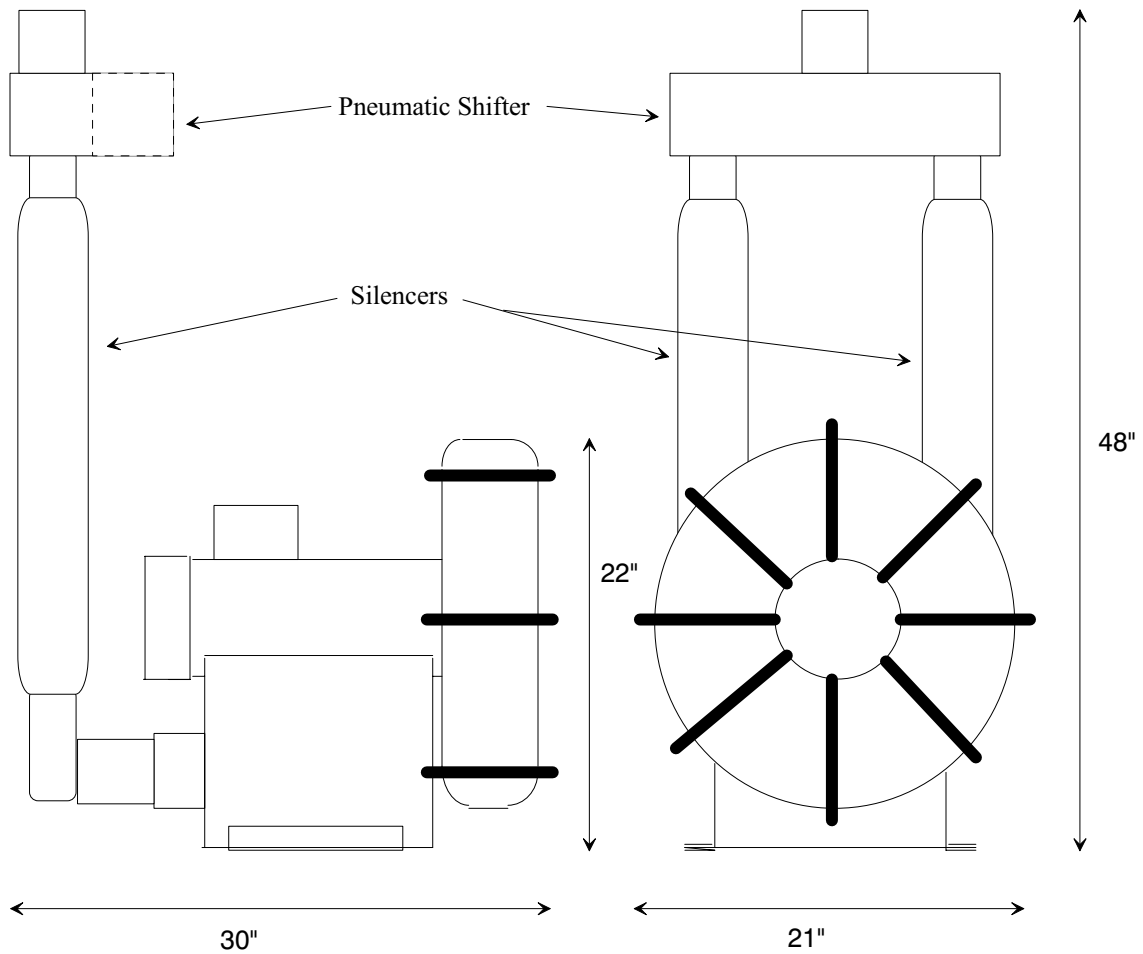
CFM - 400 cfm

H.P. - 7.5 h.p.

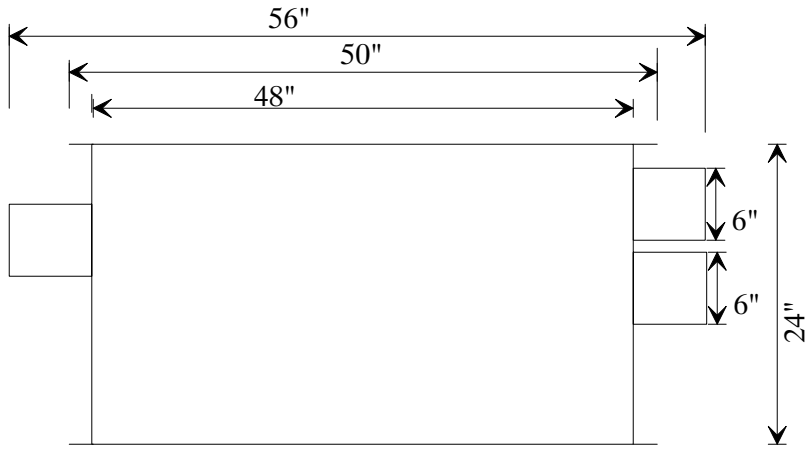
Voltage - three phase, 200/230/460/3/60

Weight - 260 lbs

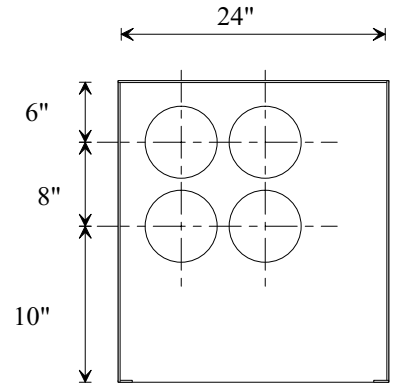
Fittings - 2 1/2" NPT



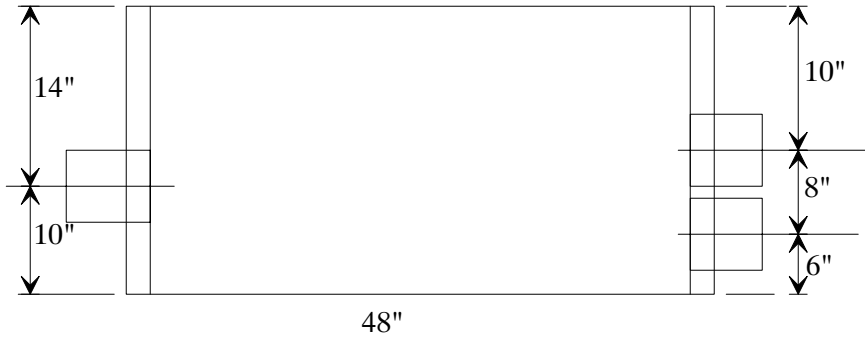
|   |  |                                |  |
|---|--|--------------------------------|--|
| <p><b>ZIP PNEUMATICS</b><br/>INCORPORATED</p> | <p>SUBJECT:<br/><i>6" Automatic System<br/>Blower Detail</i></p> | <p>DATE:<br/><i>3-9-94</i></p> | <p>DRAWN BY:<br/><i>JS</i></p>         |
|   |  | <p>SCALE:<br/><i>NONE</i></p>  | <p>DRAWING #:<br/><i>E9601-100</i></p> |



SIDE VIEW

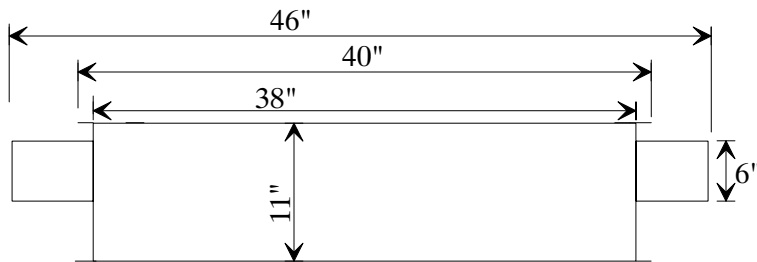


FRONT VIEW  
(MULTI PORT VIEW)

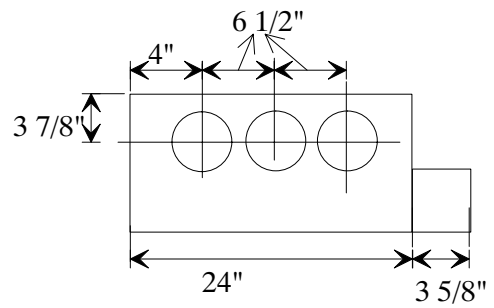


TOP VIEW

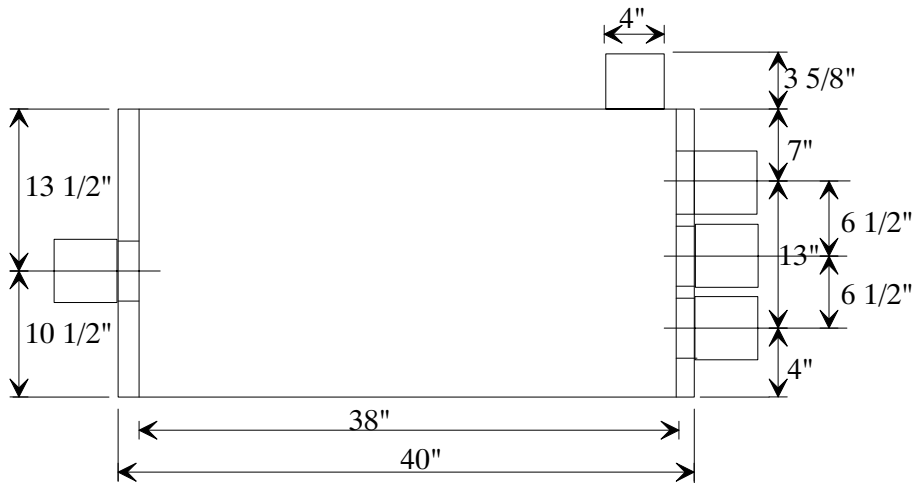
|   |   |                           |                              |
|---|---|---------------------------|------------------------------|
| <b>ZIP PNEUMATICS</b><br><hr/> INCORPORATED | SUBJECT:<br><i>6" FOUR PORT<br/>         PNEUMATIC DIVERTER<br/>         DETAIL</i> | DATE:<br><i>3-9-97</i>    | DRAWN BY:<br><i>JS</i>       |
|   |   | SCALE:<br><i>As Shown</i> | DRAWING #:<br><i>ESS8604</i> |



**SIDE VIEW**

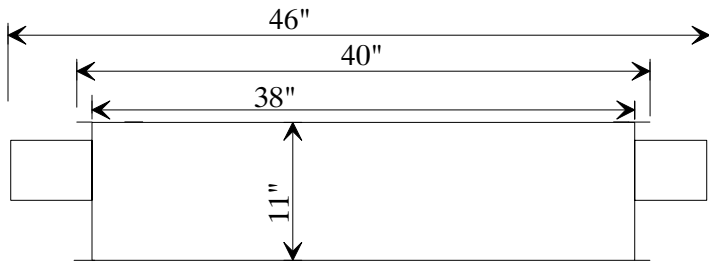


**FRONT VIEW**  
**(MULTI PORT VIEW)**

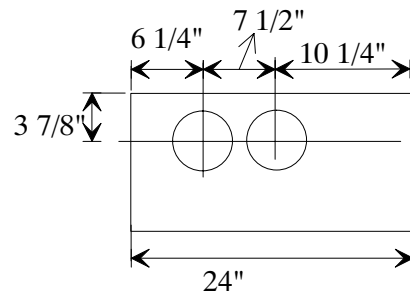


**TOP VIEW**

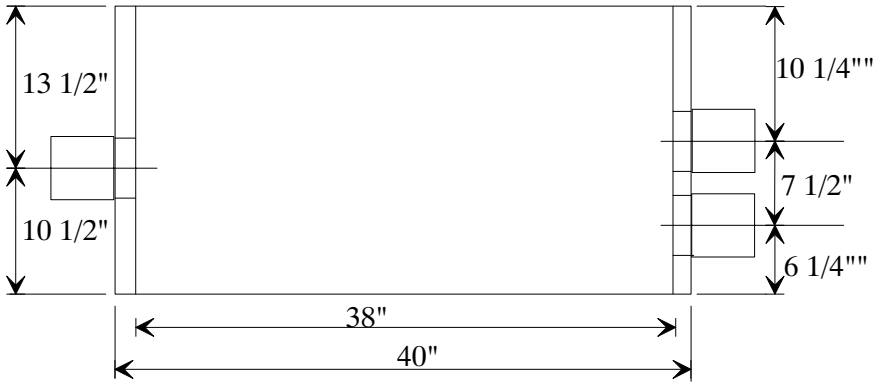
|  |   |                               |                                   |
|--|---|-------------------------------|-----------------------------------|
| <b>ZIP PNEUMATICS</b><br><hr/> <b>INCORPORATED</b> | <b>SUBJECT:</b><br><b>6" THREE PORT</b><br><b>PNEUMATIC DIVERTER</b><br><b>DETAIL</b> | <b>DATE:</b><br><b>3-9-94</b> | <b>DRAWN BY:</b><br><b>JS</b>     |
|  |   | <b>SCALE:</b><br><b>NONE</b>  | <b>DRAWING #:</b><br><b>E8603</b> |



SIDE VIEW



FRONT VIEW  
(MULTI PORT VIEW)



TOP VIEW

|                                       |  |                        |                            |
|---------------------------------------|--|------------------------|----------------------------|
| <u>ZIP PNEUMATICS</u><br>INCORPORATED | SUBJECT:<br><b>6" TWO PORT<br/>         PNEUMATIC DIVERTER<br/>         DETAIL</b> | DATE:<br><b>3-9-94</b> | DRAWN BY:<br><b>JS</b>     |
|                                       |  | SCALE:<br><b>NONE</b>  | DRAWING #:<br><b>E8602</b> |