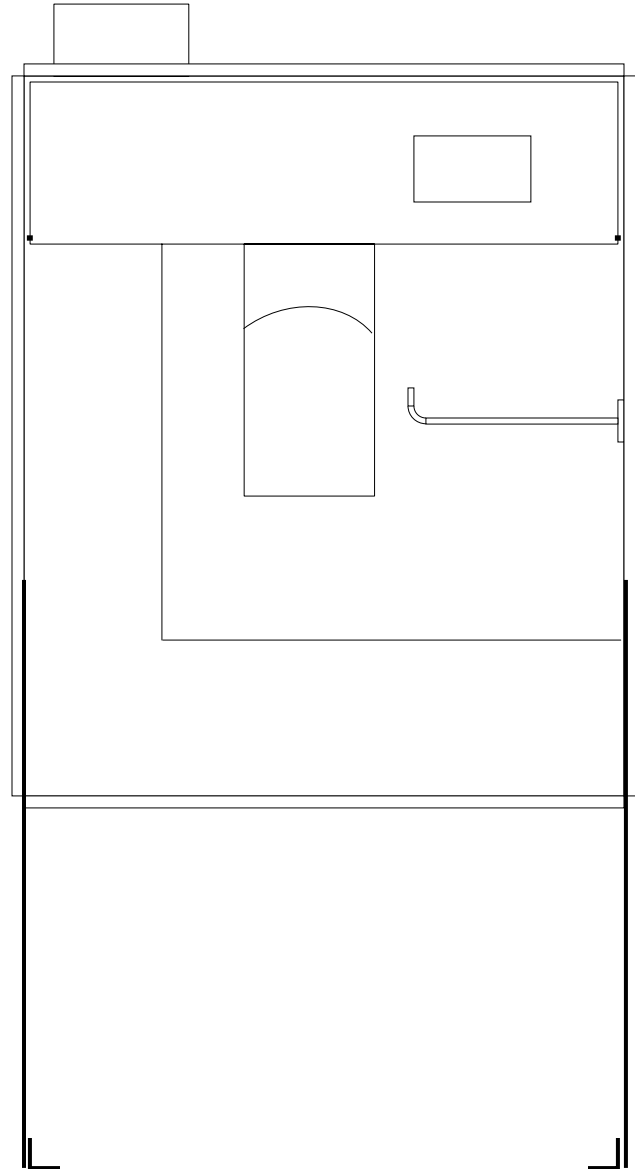
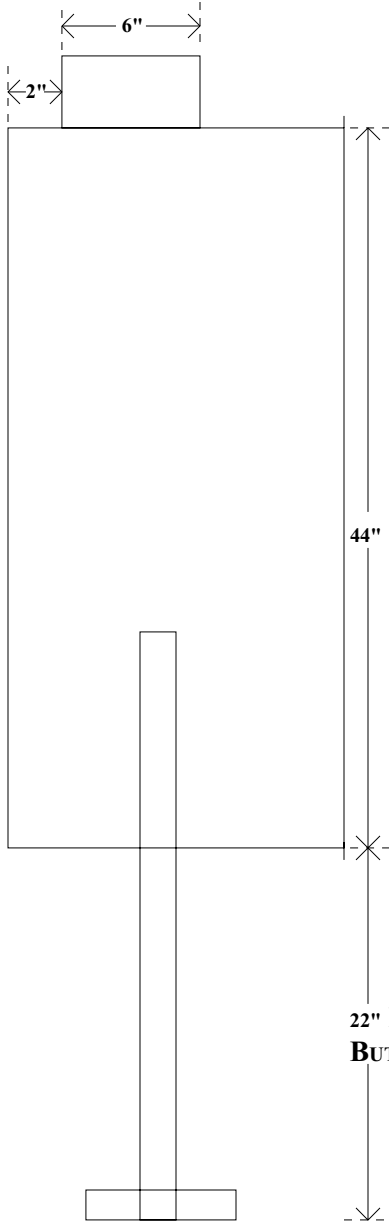
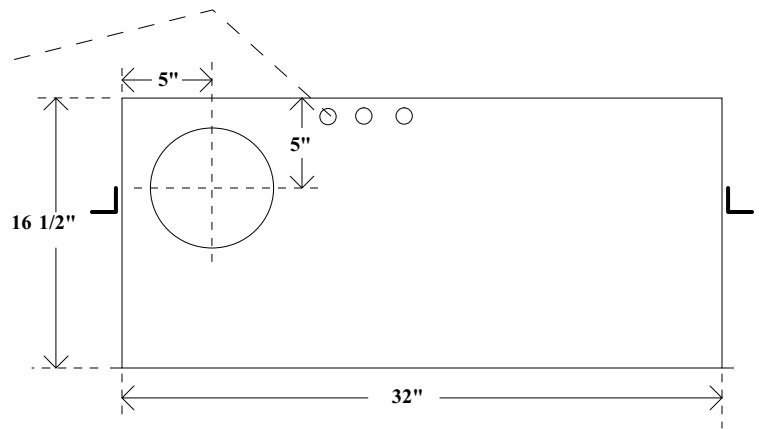


**Power Requirements:**

120 volt, 5amp AC power



<b>Zip Pneumatics, Inc.</b>  <b>Raytown, MO</b>	SUBJECT: <i>Enterprise Series 5600 Automatic Single Pipe Station</i>	DATE: <b>3-9-94</b>	DRAWN BY: <b>DS</b>
		SCALE: <b>NONE</b>	DRAWING #: <b>ESS5601</b>

Rotron Regenerative blower:

Model - DR808AY72

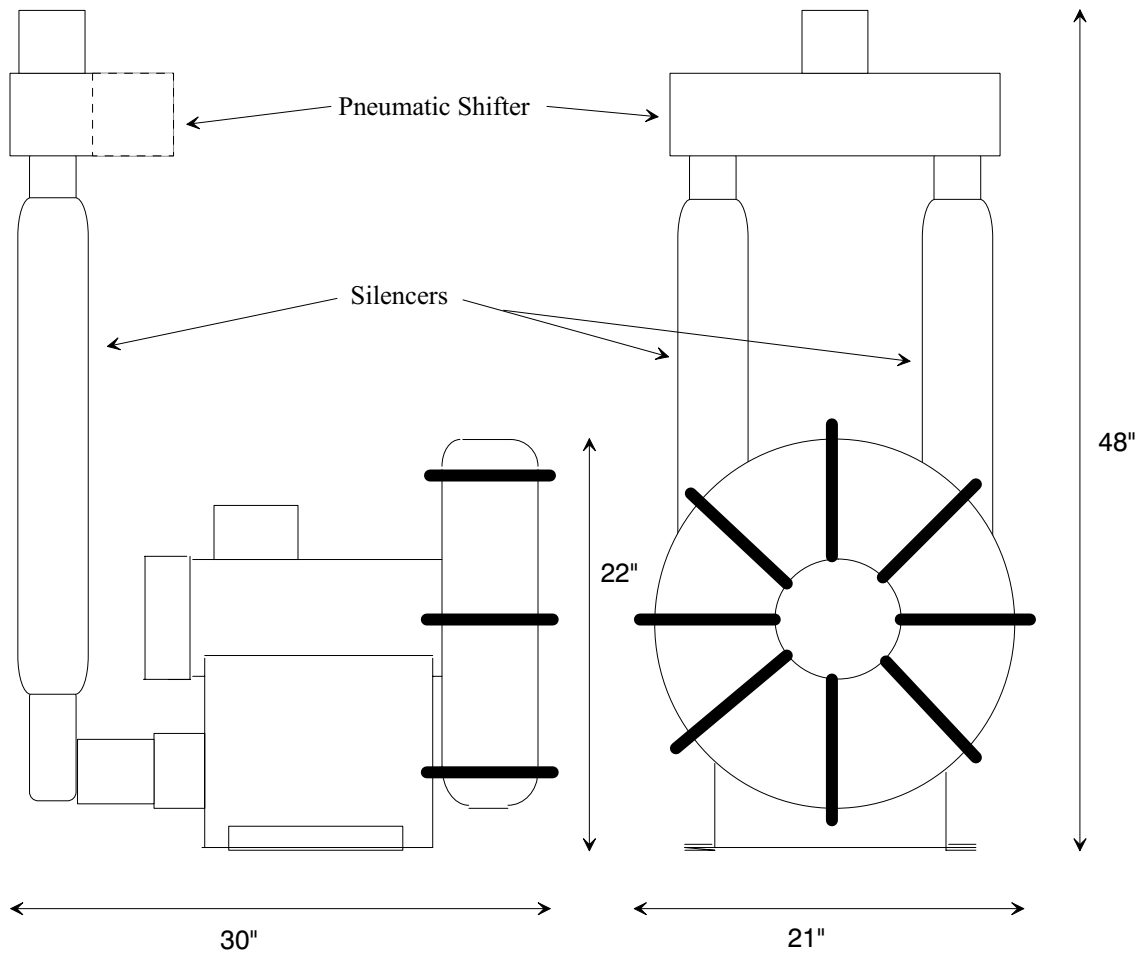
CFM - 400 cfm

H.P. - 7.5 h.p.

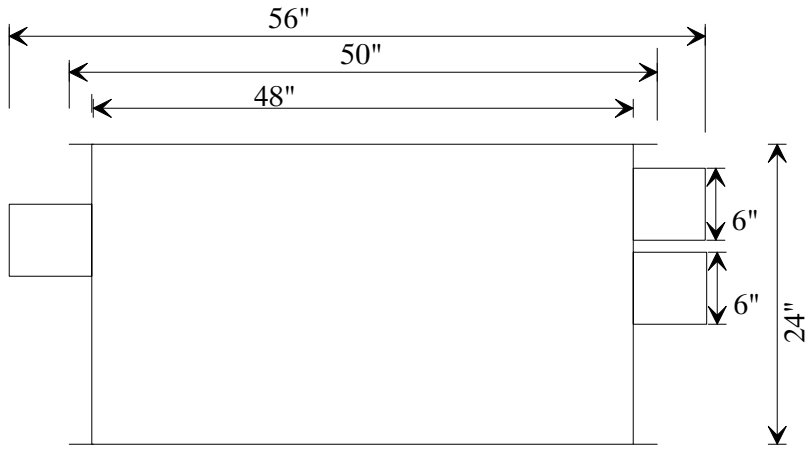
Voltage - three phase, 200/230/460/3/60

Weight - 260 lbs

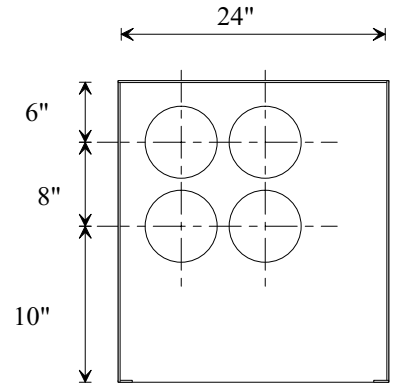
Fittings - 2 1/2" NPT



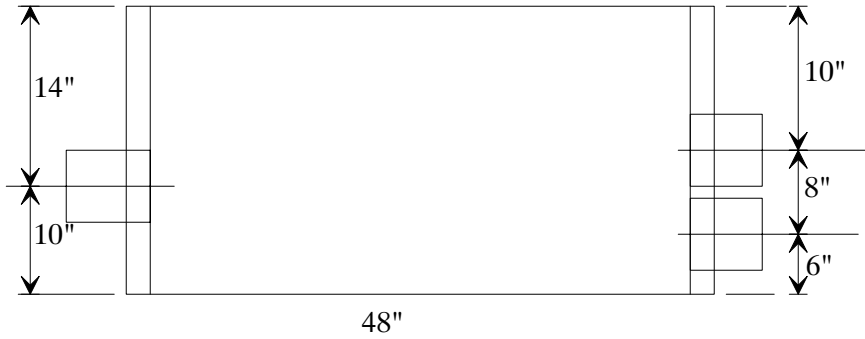
<b>ZIP PNEUMATICS</b> <hr/> <b>INCORPORATED</b>	SUBJECT: <i>6" Automatic System                  Blower Detail</i>	DATE: <b>3-9-94</b>	DRAWN BY: <b>JS</b>
		SCALE: <b>NONE</b>	DRAWING #: <b>E9601-100</b>



SIDE VIEW

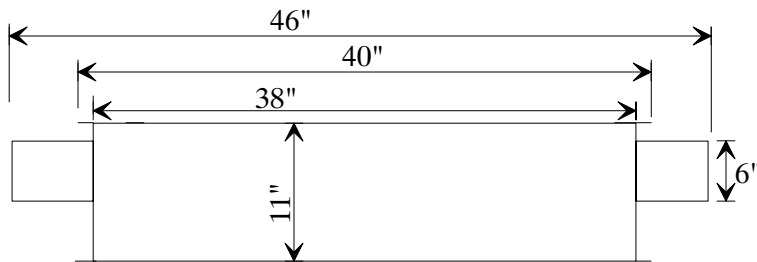


FRONT VIEW  
(MULTI PORT VIEW)

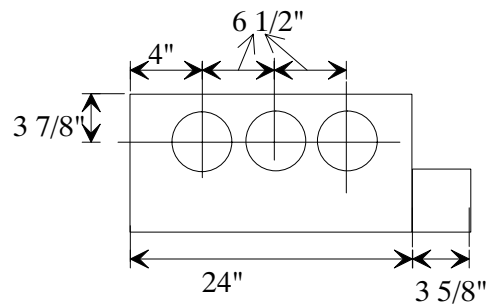


TOP VIEW

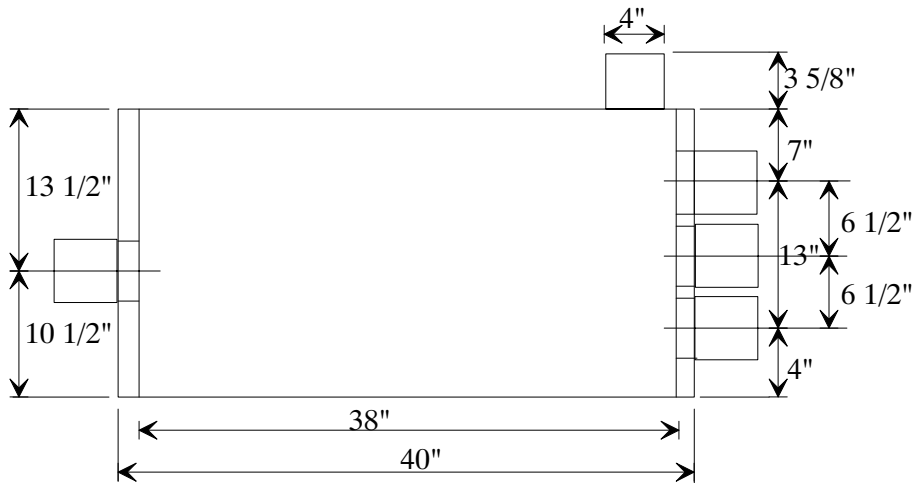
<b>ZIP PNEUMATICS</b> <hr/> INCORPORATED	SUBJECT: <i>6" FOUR PORT          PNEUMATIC DIVERTER          DETAIL</i>	DATE: <i>3-9-97</i>	DRAWN BY: <i>JS</i>
		SCALE: <i>As Shown</i>	DRAWING #: <i>ESS8604</i>



**SIDE VIEW**

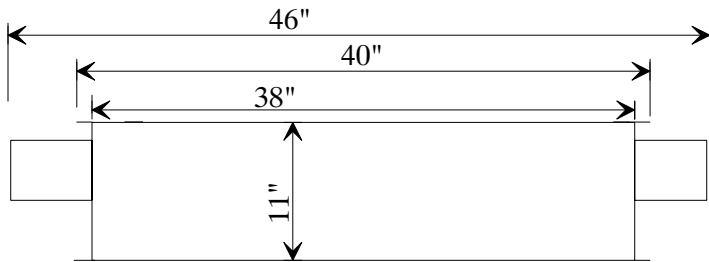


**FRONT VIEW**  
(MULTI PORT VIEW)

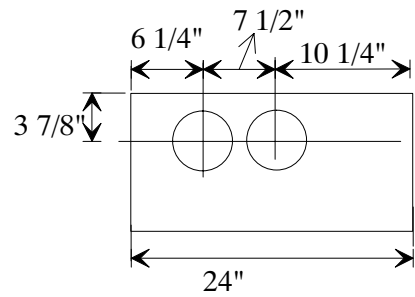


**TOP VIEW**

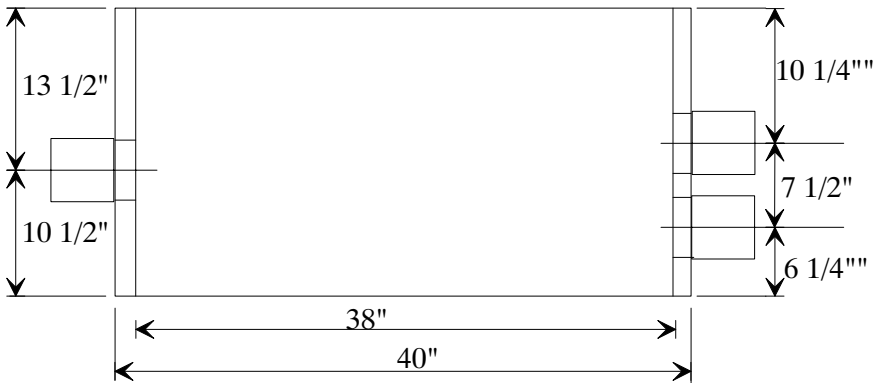
<b>ZIP PNEUMATICS</b> <hr/> <b>INCORPORATED</b>	<b>SUBJECT:</b> <b>6" THREE PORT</b> <b>PNEUMATIC DIVERTER</b> <b>DETAIL</b>	<b>DATE:</b> <b>3-9-94</b>	<b>DRAWN BY:</b> <b>JS</b>
		<b>SCALE:</b> <b>NONE</b>	<b>DRAWING #:</b> <b>E8603</b>



SIDE VIEW

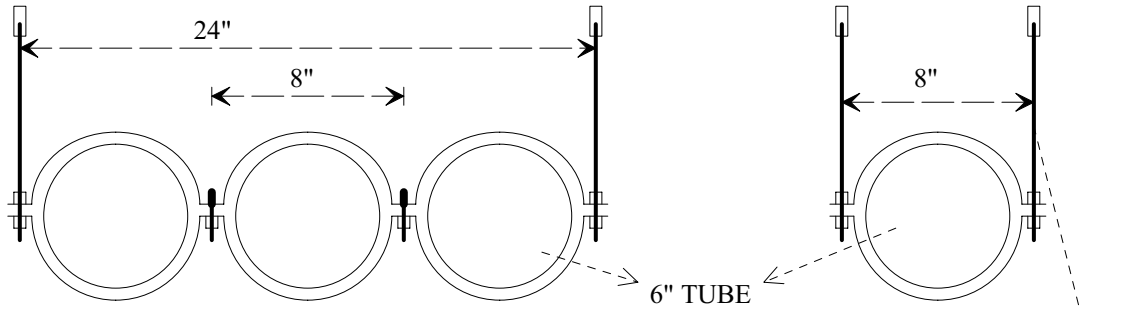


FRONT VIEW  
(MULTI PORT VIEW)



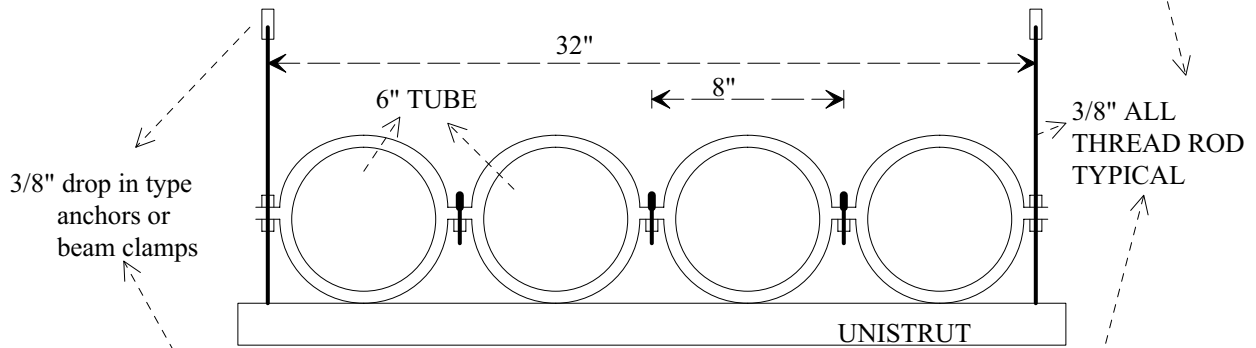
TOP VIEW

<u>ZIP PNEUMATICS</u> INCORPORATED	SUBJECT: <b>6" TWO PORT          PNEUMATIC DIVERTER          DETAIL</b>	DATE: <b>3-9-94</b>	DRAWN BY: <b>JS</b>
		SCALE: <b>NONE</b>	DRAWING #: <b>E8602</b>



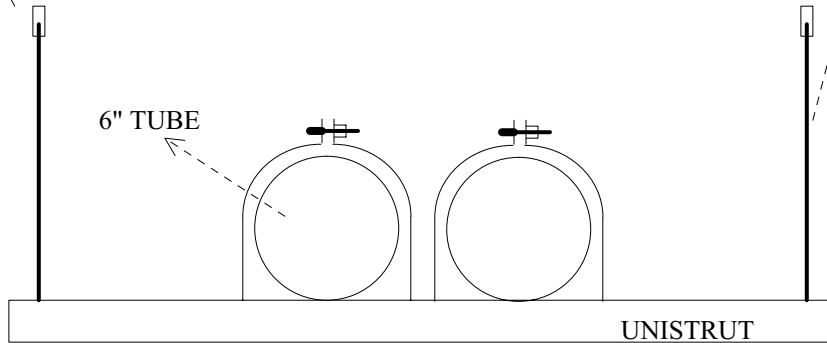
**STANDARD CLAMP**

WITH LESS THAN FOUR TUBE LINES



**STANDARD CLAMP**

WITH MORE THAN THREE TUBE LINES



**UNISTRUT CLAMP**

**TUBE SHALL BE SUPPORTED BY HANGERS ON 10' CENTERS**