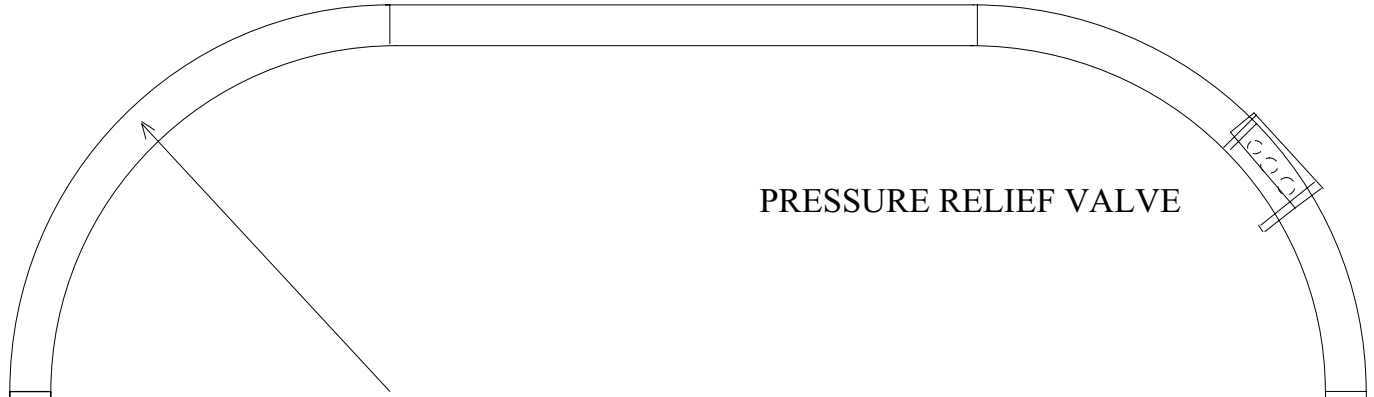




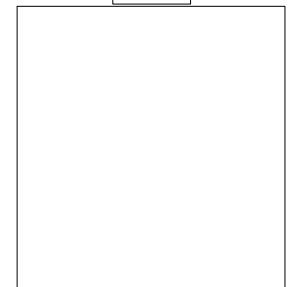
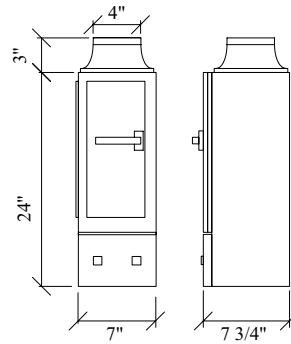
BLOWER



PRESSURE RELIEF VALVE

36" or 48" RADIUS BEND

Air flow valves which provide air cushion delivery for main station.



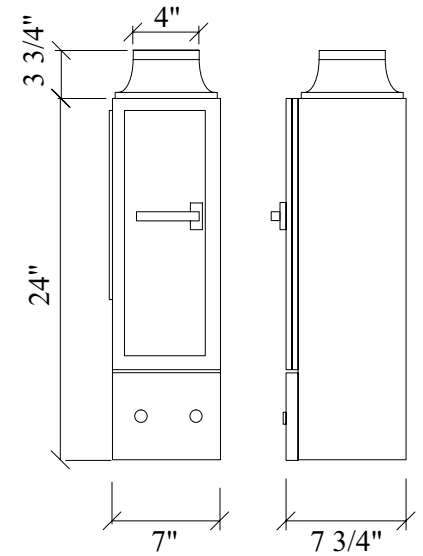
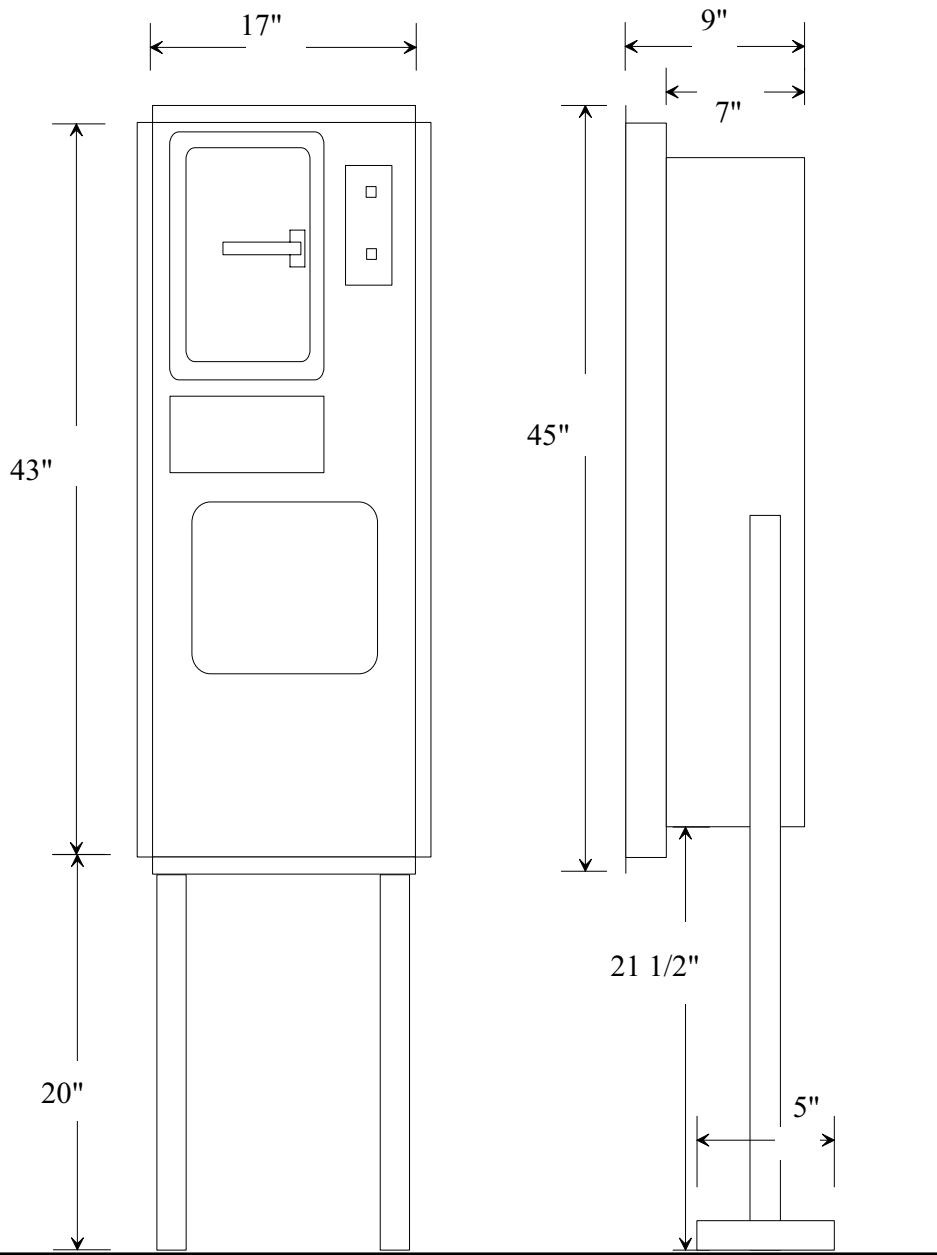
Zip Pneumatics
Incorporated

SUBJECT:
VACUUM/PRESSURE SYSTEM
RISER AND STATION DETAILS

DATE:
3-9-94

DRAWN BY:
JS

DRAWING #:
VPD-023



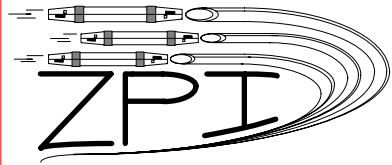
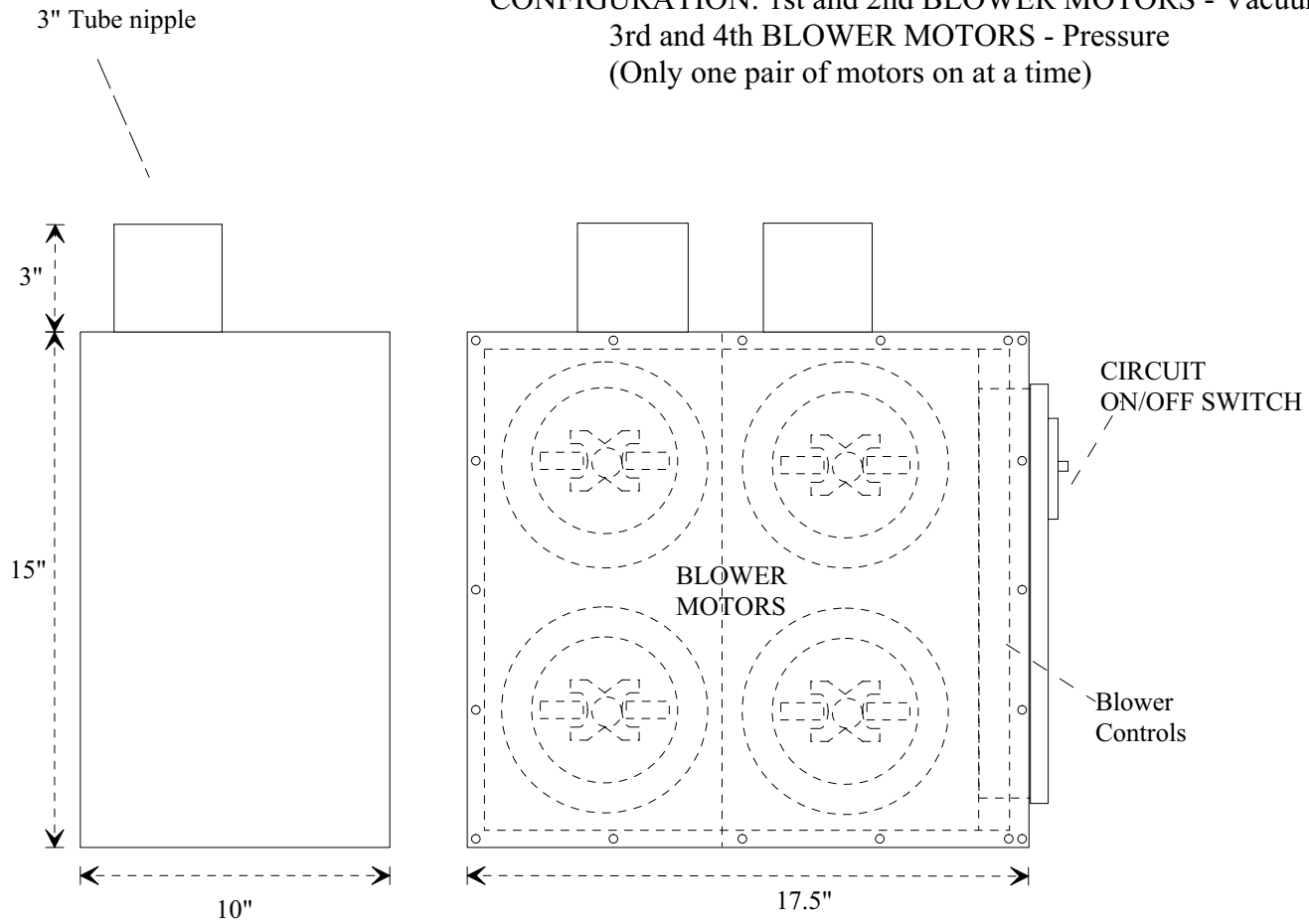
4" Counter top
(TYPICAL)

4" Recessed Style
(TYPICAL)

ZIP PNEUMATICS INCORPORATED	SUBJECT: <i>4" ENTERPRISE VP 2000 RECESSED & COUNTERTOP DETAILS</i>	DATE: 5-12-95	DRAWN BY: JS
		SCALE: NONE	DRAWING #: VP2000

TOTAL POWER REQUIREMENTS: 1 - 110 VOLT A.C. 20 AMP CIRCUITS
 BLOWER MOTOR - 7.5 AMPS MAX.

CONFIGURATION: 1st and 2nd BLOWER MOTORS - Vacuum
 3rd and 4th BLOWER MOTORS - Pressure
 (Only one pair of motors on at a time)



SUBJECT
 2 Motor Opposed
 BLOWER PACK
 224 C.F.M. MAX.

DATE	DRAWN BY
9/21/01	JS
SCALE	DRAWING#
NONE	ESS94120